

PRODUCT:

QUANTITY:

ITEM#:

Bid Specifications

Models CP-1A and CP-2A are constructed of heavy-duty stainless steel, with either single or twin flat sided heating elements. Units are equipped with an infinite control for each heating element and feature a heavy-duty auto-cycling pilot light. Units have cooling vents on all sides for proper ventilation. Units are equipped with a cord and plug which exits from the rear right-hand corner. A removable aluminum splash-plate is located under each of the heating elements allowing for easy cleaning. CP-2A Model offers 1800W of power, 1250W and 550W burner separation.

Model CHP-1A is constructed of 20 ga. heavy-duty stainless steel with a single electrical heating element. The element is 7 1/2" in diameter and features a flat cooking surface. The element sits on a heavy-duty structure which enables the support of large stockpots. This special support provides the added necessary ventilation for stockpot cooking. Cooking surface element features a heavy-duty aluminum splash plate and is easily removed for cleaning. A full 7 1/8" body allows a higher cooking height. Unit is equipped with 1" adjustable legs. Body Construction is fully ventilated. Cord and plug exit in the right rear corner for out-of-the-way operation.

Reliability Backed by APW Wyott's Warranty

- APW Wyott's Hot Plates are backed by a 1 year parts & labor warranty.
- Hot Plates are Certified by the following agencies:



Models CHP-1A, CP-1A, CP-2A

Standard Features

CP-1A/2A

- Lightweight, portable.
- Single and twin heating element styles.
- All stainless steel construction.
- Each heating element is 6" in diameter.
- Easy front-view pilot lights – auto-cycling.
- Cord & Plug located out-of-the-way, back corner exit.
- Removable aluminum splash-plate under element.

CHP-1A

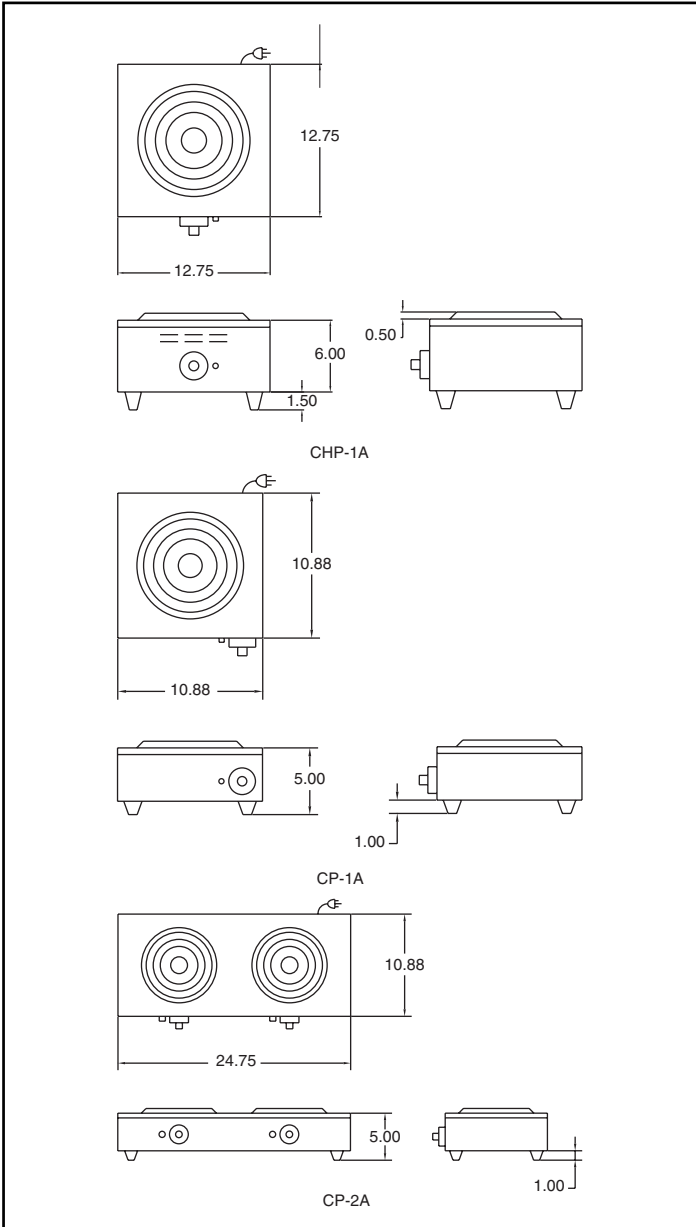
- Heavy-duty single element— 1650W of power.
- All stainless steel construction.
- "EGO Controls" infinite controls.
- Heavy-duty high rise element support for large stockpots.
- Auto-cycling pilot light.
- Full 7 7/8" height for easier product placement on the stove.
- Cord & Plug located out-of-the-way, back corner exit.
- Removable aluminum splash-plate under element.

See Reverse Side for product specifications

PRODUCT:

QUANTITY:

ITEM#:



PRODUCT SPECIFICATIONS

Construction:

Heavy-Duty Stainless steel construction.
Aluminum splash plate.
One inch adjustable legs.

Electrical Information:

Each unit is equipped with a 66" , three wire grounded power cord which terminates with a standard three-pronged male plug. The 208/240 units use a NEMA 6-20P plug.

Electrical Specifications:

CP-1A: 120V, 1250W; 10.4 Amps

CP-2A: **First Burner:**
240V, 1250W; 13.8 Amps
Second Burner:
120V, 550W; 4.6 Amps
Total Both Burners:
120V, 1800W; 15 Amps

CHP-1A: 120V, 1650W, 13.8 Amps

Overall Dimensions:

CP-1A 5" H x 10.875" W x 10.875" D
(12.7cm x 27.6cm x 27.6cm)

CP-2A 5" H x 24.75" W x 10.875" D
(12.7cm x 62.9cm x 27.6cm)

CHP-1A 7.125" H x 12.75" W x 12.75" D
(18.1cm x 32.4cm x 32.4cm)

Shipping Weight:

CP-1A 11 lbs (kg)

CP-2A 17 lbs (7.7 kg)

CHP-1A 14 lbs (kg)

F.O.B. Dallas, TX

World Class Support

World Class Sales Support to assist you with finding the right solution to your operation's needs. Call Customer Service at 1-800-527-2100 or Fax your request to 1-214-565-0976. For more information about APW Wyott's World Class Support and High Performance Equipment, look us up on the Internet at www.APWwyott.com

Most Extensive Service System in the Industry! Wyott has three levels of service support for your needs:

- Direct Service Hot Line to Service Department, call 1-800-527-2100.
- To find the Registered Service Technician in your area, call Automated Service Hot Line at 1-800-733-2203.